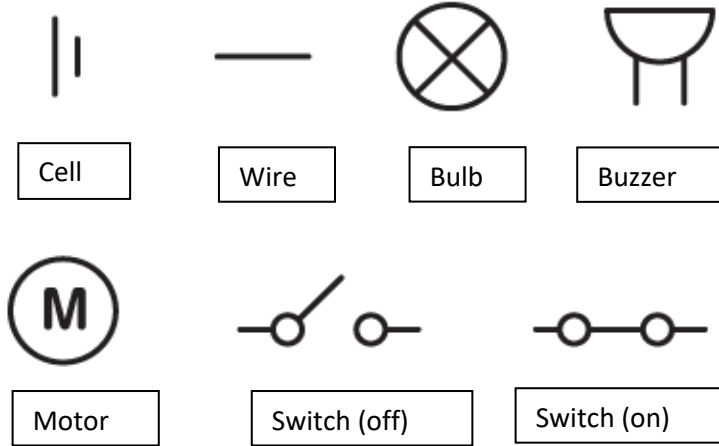


# Year 6 - Key Knowledge Factsheet - Electricity

## Circuit symbols



## Key Vocabulary

**Battery** - A container consisting of one or more cells where chemical energy is converted into electricity and used as a source of power

**Bulb** - A glass bulb which provides light by passing an electrical current through a filament

**Buzzer** - An electrical device that makes a buzzing noise and is used for signalling

**Circuit** - A complete and closed path around which a circulating electric current can flow

**Electricity** - A form of energy resulting from the existence of charged particles

**Investigate** - To find the answer to a scientific question - possibly using a variety of methods

**Prediction** - To say something will happen in the future - possibly as a consequence of something.

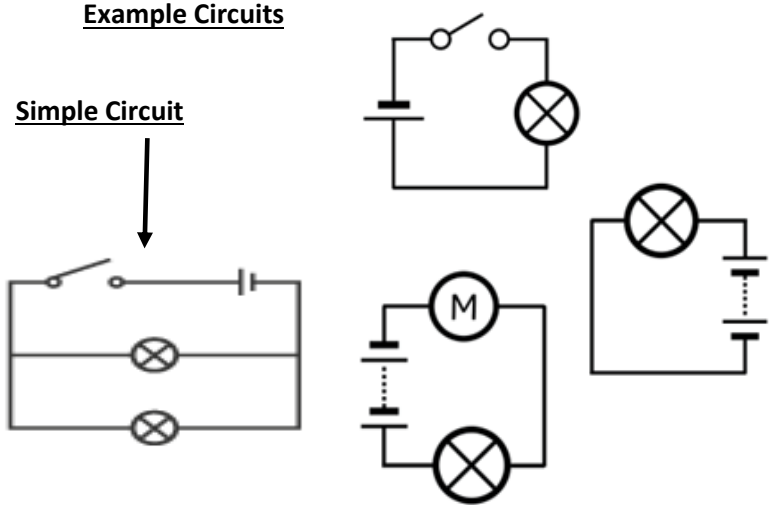
**Switch** - A device for making and breaking the connection in an electric circuit

**Voltage** - An electrical force that makes electricity move through a wire, measured in volts

**Wire** - Carries electricity to and from components

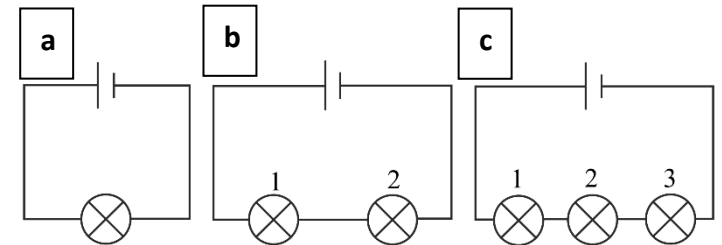
## Example Circuits

### Simple Circuit



## Voltage

Adding bulbs will mean that less voltage is travelling to each bulb and then bulbs will become dimmer. (The bulb in **a** will be brighter than the 3 bulbs in **c**.)



The more cells (batteries) you add to a circuit then the brighter the bulb or louder the buzzer will be.